

Plug-in System Specification

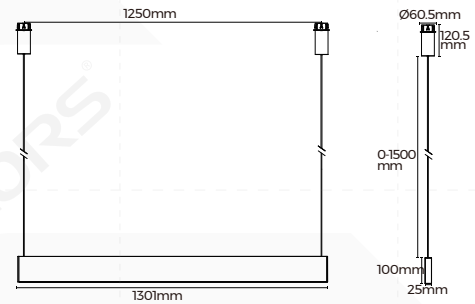
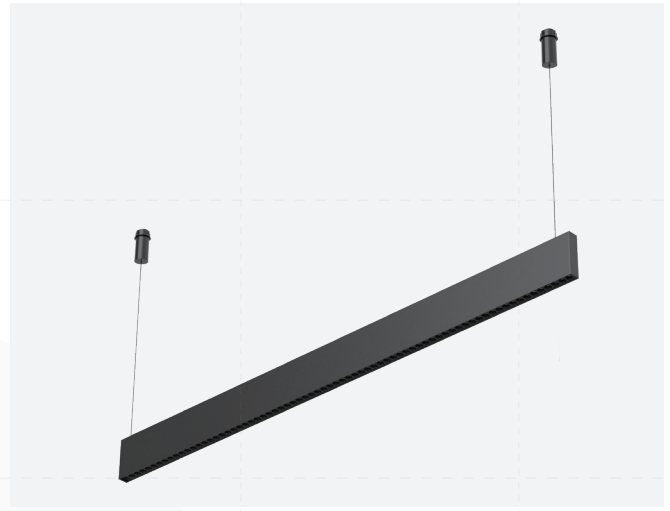
HTS53HG(A)

— HOLA T series



【Basic Parameters】

- Installation: Ceiling
- Material: AL6063-T5
- Coating: Black(RAL9005)
- Dimming method: Non/DALI-2/CASAMBI
- Input voltage: DC48V
- SDCM: <3 Step (ANSI)
- CRI: 90
- CCT: 2700/3000/4000K optional
- Beam angle: Up:110°,Down:30°/55°
- Application: Indoor
- IP grade: IP20
- Warranty: 5 years
- Certification: CE、UKCA、ROHS、Reach



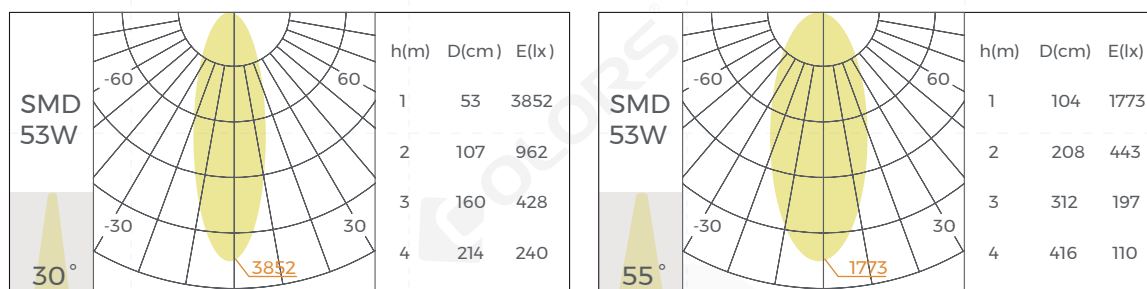
【Luminaire Parameters】

Version	Model	Length	Input Voltage (V)	Max. Current (A)	Type Power (W)	Max. Power (W)	CRI	Beam Angle	CCT	Lumen (LM)
Normal	HTS53HC(A)	1301mm [4.27']	DC48V	1.1	44	48.4	>90	30°	2700K	2209 [517LM/ft]
									3000K	2257 [529LM/ft]
									4000K	2376 [556LM/ft]
								55°	2700K	2127 [498LM/ft]
									3000K	2174 [509LM/ft]
									4000K	2288 [535LM/ft]

Note:


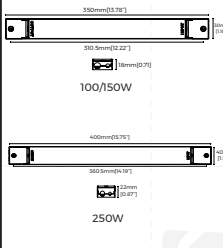
1. The above parameters were tested based on Ra90, 4000K, light source;
2. luminous flux is allowed to have a $\pm 10\%$ error range;
3. The above parameters are typical values.

[Optical Parameter]



[Product Accessories Information]

Picture	Section size	Name	Description	Model	Note
		Base	Material: PC+ADC12 Input Voltage:DC48V Coating:Black White Installation:Surface Rated Power:150W Rated Current:3A Certification:CE Warranty:5 years Maximum load: 8Kg/Lamp	RA-HM64	
		Base	Material: PC+ADC12 Input Voltage:DC48V Coating:Black,White Installation:Trimless recessed Open Size: ϕ 80mm Rated Power:150W Rated Current:3A Certification:CE Warranty:5 years Maximum load: 1Kg/Lamp	RA-HE80	
		Base	Material: PC+ADC12 Input Voltage:DC48V Coating:Black,White Installation:Trimless recessed Open Size: ϕ 65mm Rated Power:150W Rated Current:3A Certification:CE Warranty:5 years Maximum load: 8Kg/Lamp	RA-HR65	
		Quick connector	Material:PA6 Size:L38*W9.4*H10.5mm [Inch Size: L1.5"*W0.37"*H0.41"] Applicable wires: solid wire:0.5-4mm ² stranded wire:0.5-2.5mm ² Rated Voltage:250V/600V Rated Current:32A Certification:CE Warranty:3 years	TB-02	
		CASAMBI controller	Dimming mode: CASAMBI Size :180*42*25mm [Inch Size:7.09"*1.65"*0.98"] Input voltage :24-48VDC Output signal:DALI Output DALI Max.current: 250mA Control devices:≤64 Control groups:≤8 Certification:CE,UKCA Warranty:5 years	1200EN1612-CAS -0-0000003	Controller should be used with DALI dimming modules.

	 <p>350mm(13.78")</p> <p>350mm(13.78")</p> <p>100/150W</p> <p>400mm(15.75")</p> <p>350mm(13.78")</p> <p>250W</p>	<p>Power supply</p>	<p>Dimming mode: Non-dimming Input: AC220-240V~50/60Hz PF:≥0.95 Output voltage:48VDC Output current:2.1/3.13/5.21A Power:100/150/250w Efficiency:0.9</p>	<p>BN-V48-XXXX</p>	<p>Power supply Accessories</p>
---	---	---------------------	--	--------------------	---------------------------------

Note:

1. Max. power cable (16AWG main cable) of base ≤ 50M
2. Total power of modules during work < 80%-85% output power of supply

[Packing]

Model	Size (mm/box)	Quantity /box	Quantity /carton	NW (kg/box)	NW (kg/carton)	GW (kg)	Size (mm/carton)
FD-HTS53HD1200-XXX	1310*106*99 (51.6"*4.2"*3.9")	1	4	2.5	10	12.8	1330*232*218 (52.4"*9.1"*8.6")

[Attentions]

1. Non-professionals are prohibited from installing, disassembling and repairing the product
2. Avoid scratching, distortion and irregular bending of the product during installation; otherwise it may cause irreparable damage to the product.
3. Please use professional cutting tools when cutting
4. Do not use any acid or alkaline adhesive to fix products
5. The product is only suitable for indoor dry places, can not be used in outdoor, seaside or wet environment
6. PC features: Each 10°C rise or drop will make diffuser extend or shrink 0.8mm/m, please confirm before processing and use.
7. The insertion and removal of the base and lighting module shall not exceed 50 times